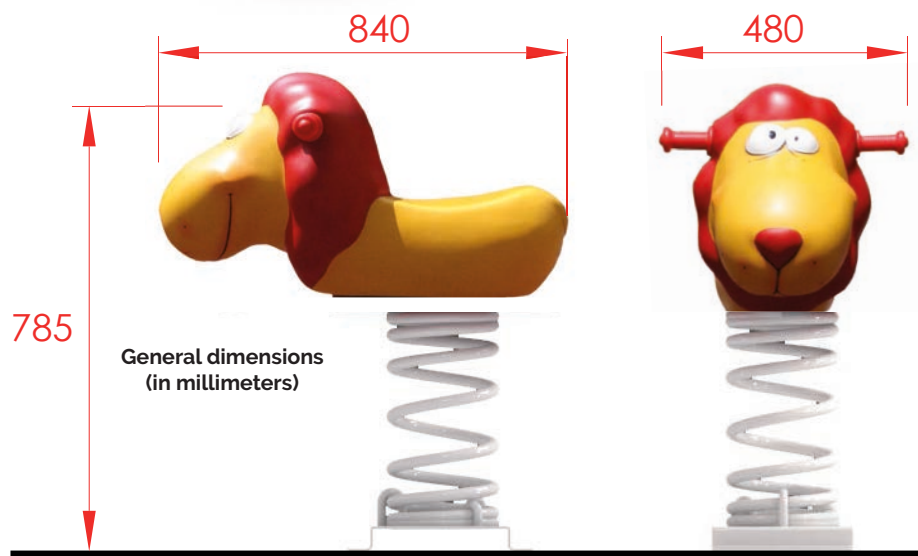
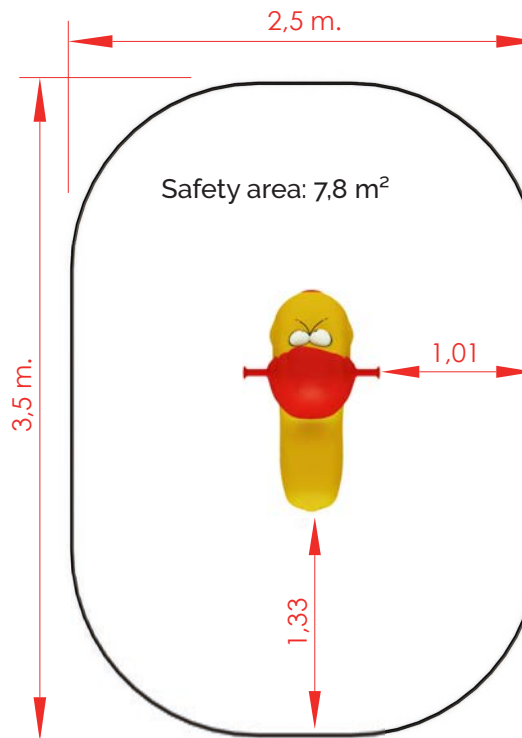




SERIE **ANIMALS**
SERIES

The Little Ones



Technical information.

Animal: Main body made of polyester, painted by mass, with geal-coat of predominant color and antigraffiti treatment.

Structure: Internal frame made of steel to be anchored to the spring.

Spring: Standard made of steel s/norm UNE1176 with thermosetting polyester coating.

Bindings: Made in galvanized steel to be anchored on concrete deck.

Technical data.

Assembly: 1 pers. 1/2 hours.

Weight: 30 Kg.

Total height: 0,79 m.

Free fall height: 0,6 m.

Safety area: 7,8 m².

Biggest piece dimension: 0,84 m.

Spare pieces availability: 3 years.



C/ Foia, 13
P.I. Alqueria
de Moret
46210 Picanya
(Valencia)



+34 963 313 677



kiwi@kiwipw.com



www.kiwipw.com

The company reserves
the right to perform
any modification or
change in their products.

SEESAWAS

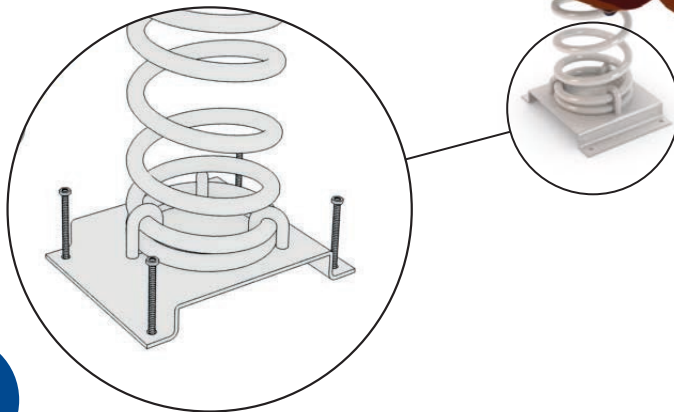


SERIE ANIMALS SERIES

The Little Ones



Anchoring detail.



Installation.

Anchored to the floor with expansion bolts. Finished with compacted material coating either continuous wet-pour rubber surfacing or rubber tiles.

Maintenance.

-Check: All fixing points, screws and bolts must be periodically checked and they will be tightened and adjusted again if necessary. The checking date must be annotated in order to establish a control.

Inspections.

-Routine Inspection: A visual and functional inspection must be carried out every 3 months in order to check that the module has not suffered any harm due to vandalism or mishandling.

-Yearly Inspection: A full inspection of the installation as a whole must be done in order to check that it keeps all norm standards and that it has not suffered any alterations.



C/ Foia, 13
P.I. Alqueria
de Moret
46210 Picanya
(Valencia)



+34 963 313 677



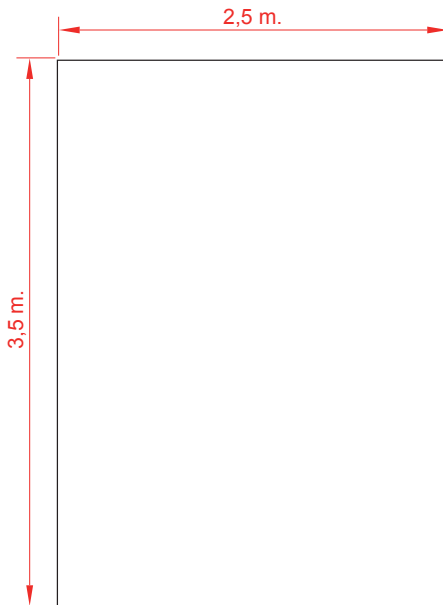
kiwi@kiwipw.com



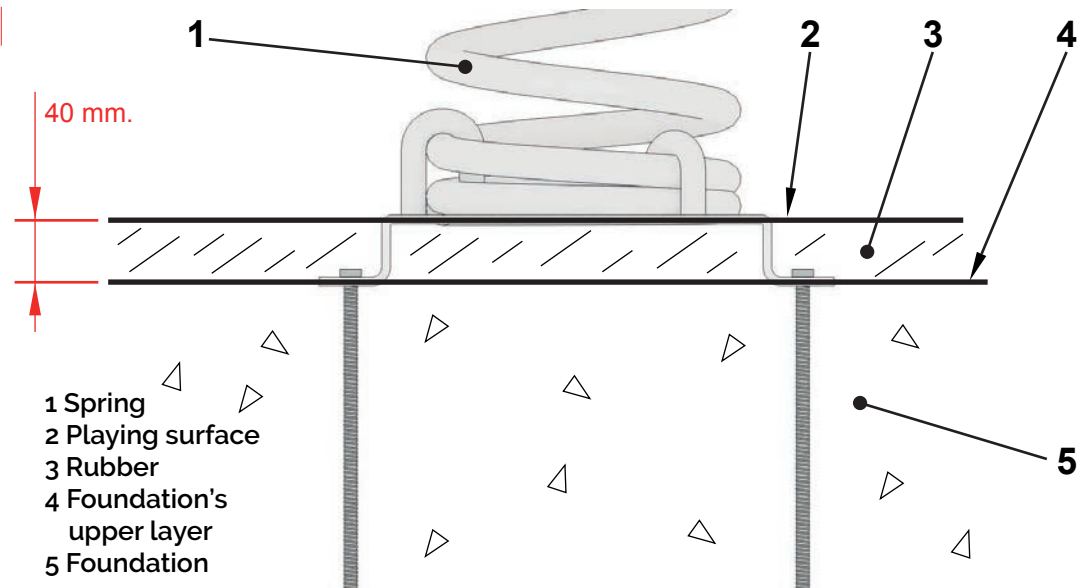
www.kiwipw.com

The company reserves
the right to perform
any modification or
change in their products.

Dimensions for
the concrete slab.



Spring Anchoring detail.



SEESAWAS