

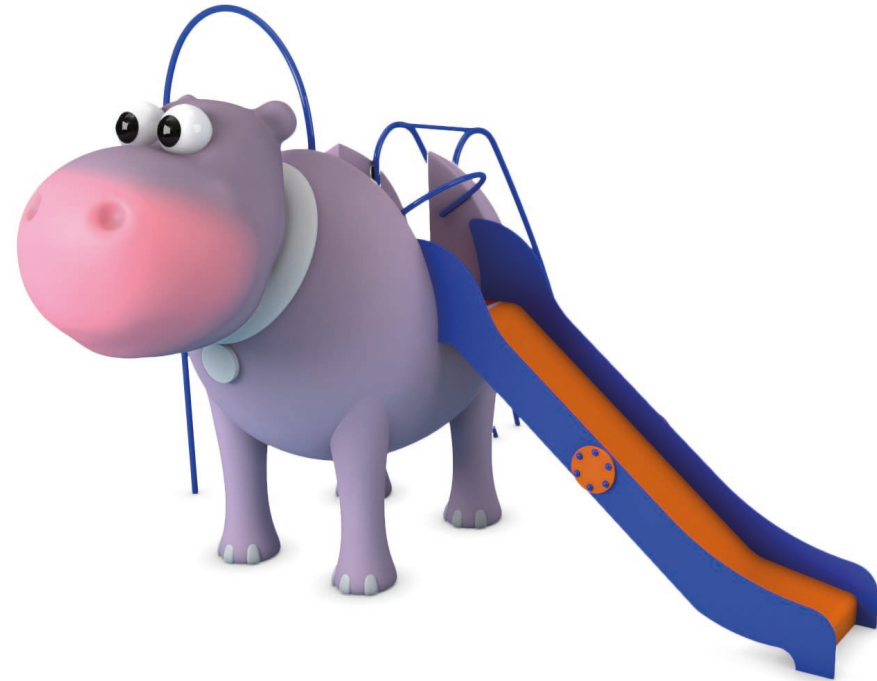


Hipo (age 6-12 years)
Ref. KP4006

Last check 07/03/2016

Pag. 1/3

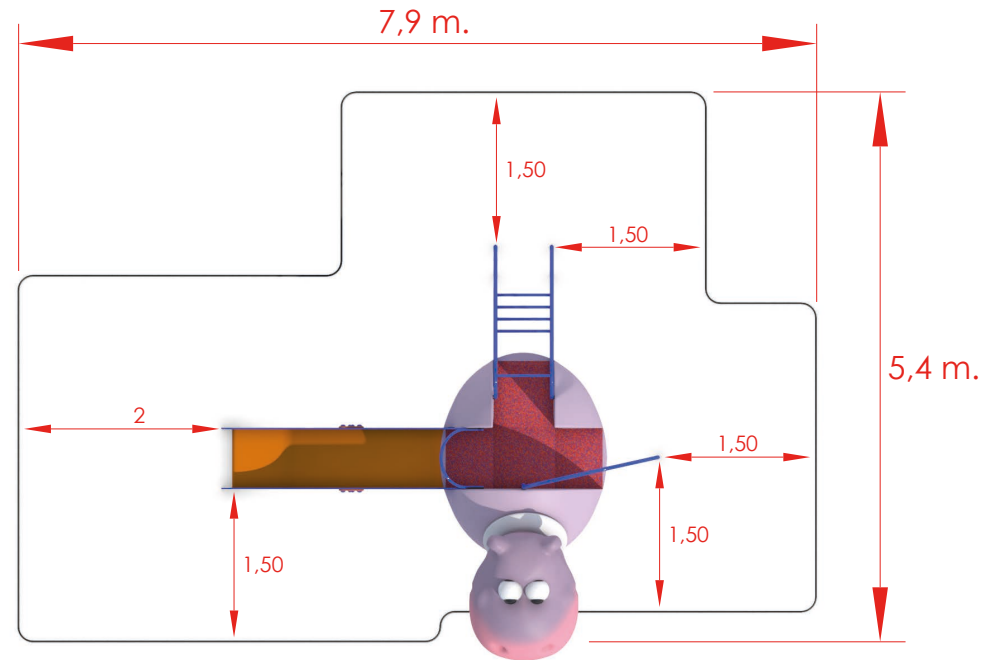
EN-1176-1:2009



Example combination



Safety area 33,46 m²
(with example elements)



Technical information.

Animal: Build in poliester painted by mass, with gel-coat of predominant color and anti-graffiti treatment.

Structure: Internal build in galvanized steel pipe.

Surface: Walk zone finished in high resistance EPDM.

Anchoring: Galvanized steel for mounting on concrete foundation.

Technical data.

Assembly: 2 pers. 2 hours.

Weight: 300 Kg.

Total hight: 2,4 m.

Free fall height: 1,50 m.

Safety area: 33,46 m². (example)

Biggest piece dimension: 3 m.

Spare pieces availability: 3 years.

For further information.

Contact us.

KIWI PLAYGROUNDS & WOODS.

C/ Foia, 13 P.I. Alqueria de Moret

46210 Picanya (Valencia)

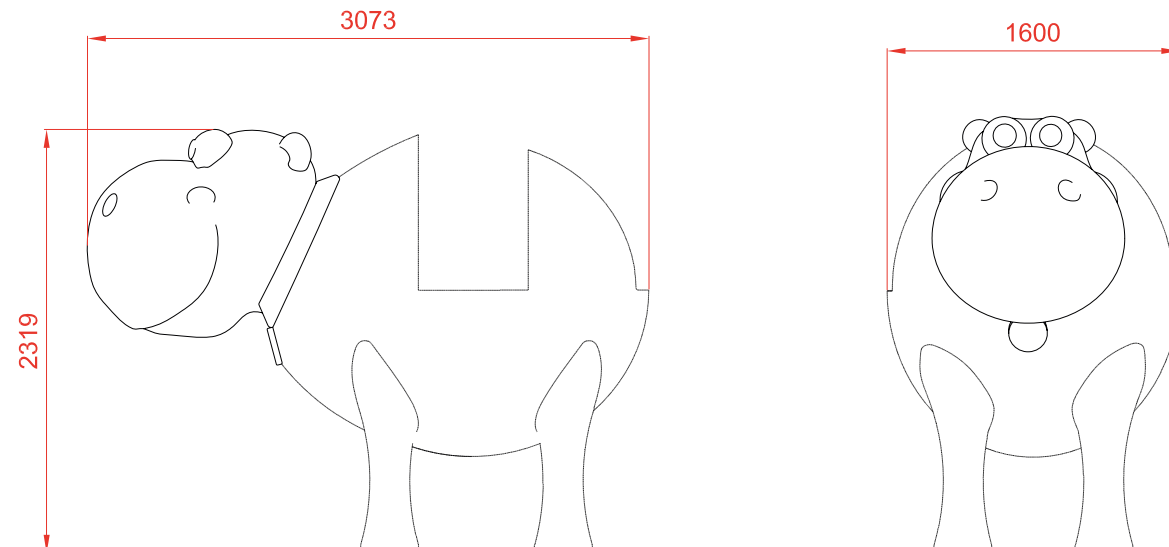
Tel. +34 963 313 677

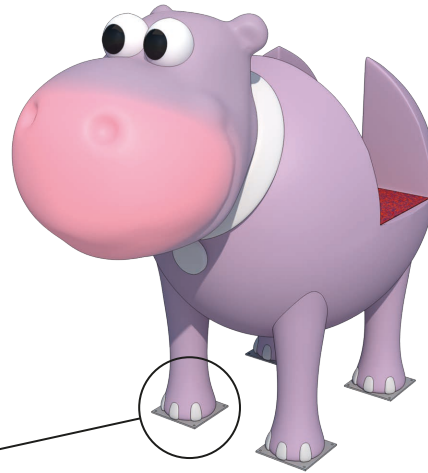
E-mail: kiwi@kiwipw.com

Web: www.kiwipw.com

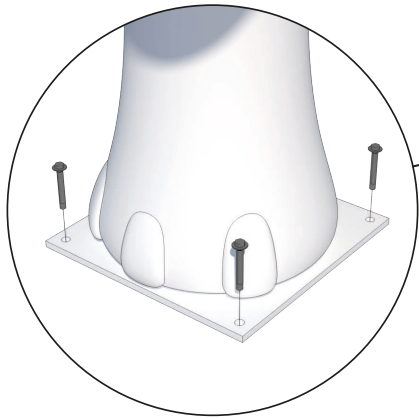
The company reserves its right to apply any modifications or changes to their products.

General dimensions
(in millimeters)

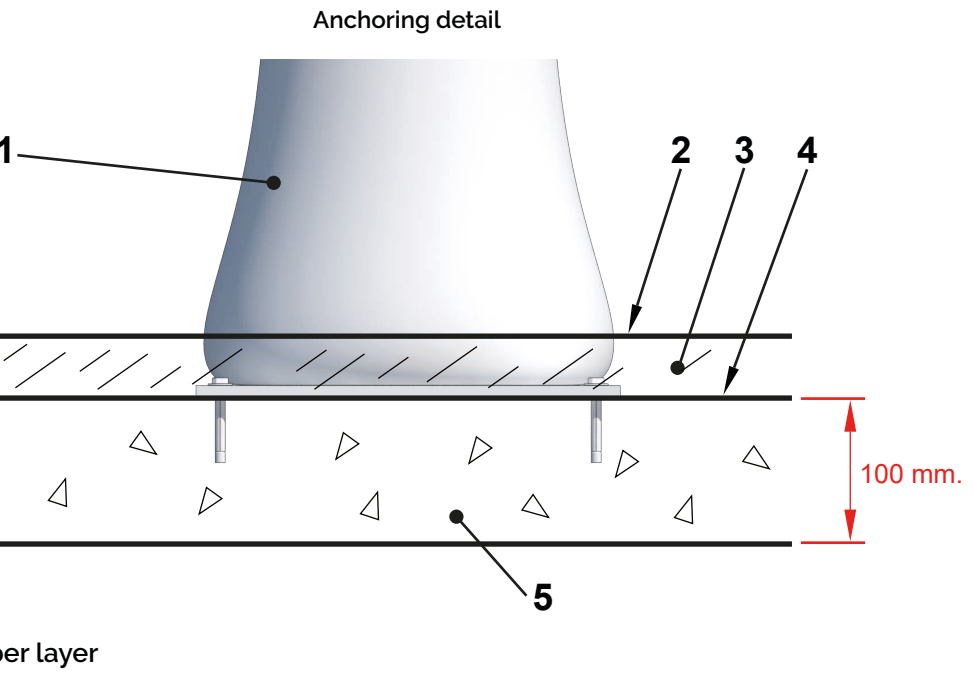
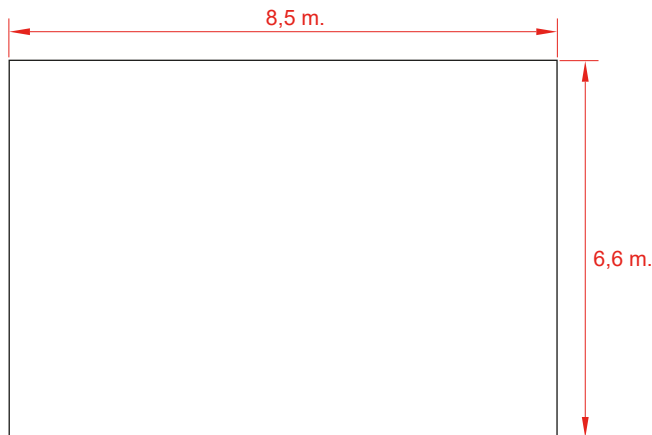




Anchoring detail



Dimensions for the concrete slab.



Installation.

Anchored to the floor with expansion bolts. Elements like the slide must be anchored with threaded rod and epoxy. Finished with compacted material coating either continuous wet-pour rubber surfacing or rubber tiles.

Maintenance.

-Check: All fixing points, screws and bolts must be periodically checked and they will be tightened and adjusted again if necessary. The checking date must be annotated in order to establish a control.

Inspections.

-Routine Inspection: A visual and functional inspection must be carried out every 3 months in order to check that the module has not suffered any harm due to vandalism or mishandling.

-Yearly Inspection: A full inspection of the installation as a whole must be done in order to check that it keeps all norm standards and that it has not suffered any alterations.